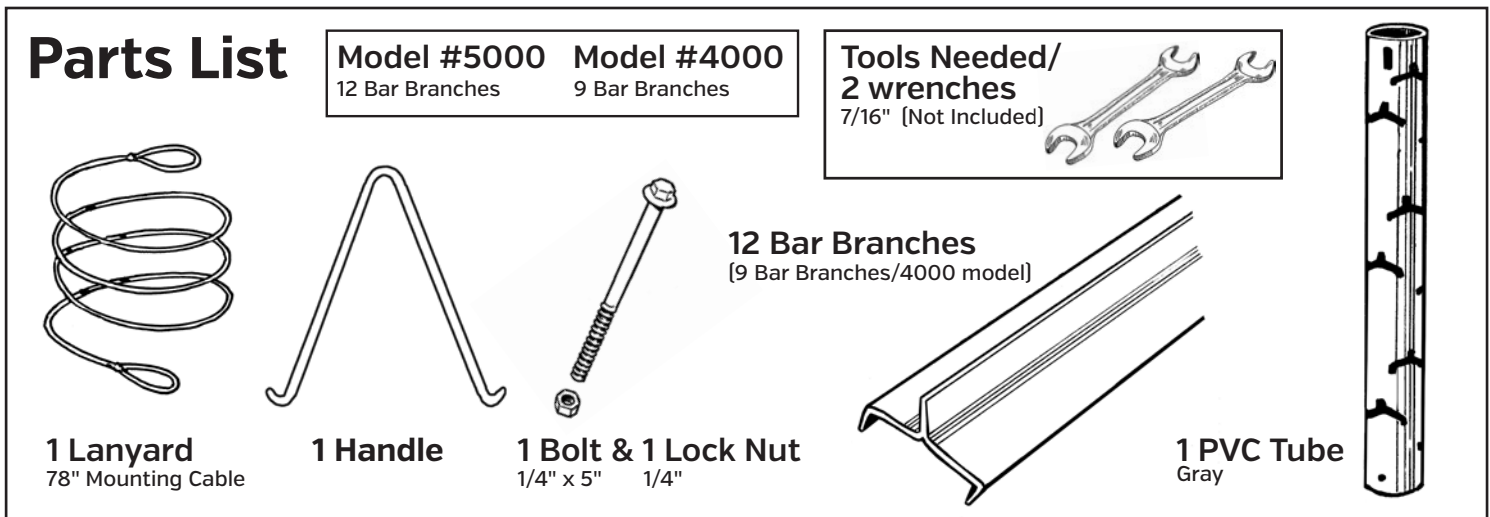


**American Fish Attractor and Habitat, LLC.**

Chattanooga, Tennessee  
Proudly made in the U.S.A.

US Patents D757,369 & 9,681,645



## ASSEMBLY INSTRUCTIONS

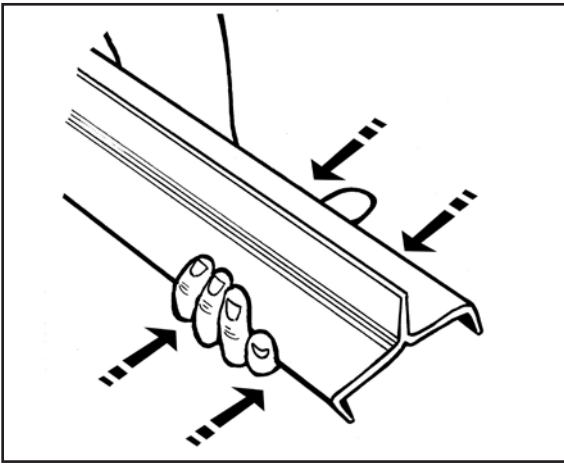
- STEP (1)** Read instructions carefully before assembling American Fish Tree.
- STEP (2)** Begin by standing PVC tube on end with top end facing upward. [Top = vertical handle/slot location].
- STEP (3)** With one hand, grasp a single bar branch [from underneath the bar branch] and cup the wings of the bar branch inward. **(fig. 1.)**
- STEP (4)** Holding the cupped bar in one hand and the PVC tube top in the other, position the corner points of the bar into the notched cut-outs of the PVC tube. Work the bar into the tube until the bar passes through the notched cut-outs on other side. Work the bar over by pinching and sliding the bar until it is centered through the tube. **(fig. 2)**  
 Repeat this step until you have 3 bars in the top end of tube. **(fig. 3)**
- STEP (5)** Carefully flip the American Fish Tree tube over on to its opposite end. Then, install 3 more branch bars, following Steps 3 & 4 above. **(fig. 4)** [Bottom = the single 5/16" hole location].
- STEP (6)** After [3] bar branches are installed on each end of tube, rotate the tube over to a sawhorse position. Continue Steps 3 & 4 in the mid-section of tube. **(fig. 5)**
- STEP (7)** Install handle into handle-slots by pinching handle inside the top tube section and work the hooked ends through the handle-slots. **(fig. 6)**

**CONGRATULATIONS !!! - you are ready to go.**

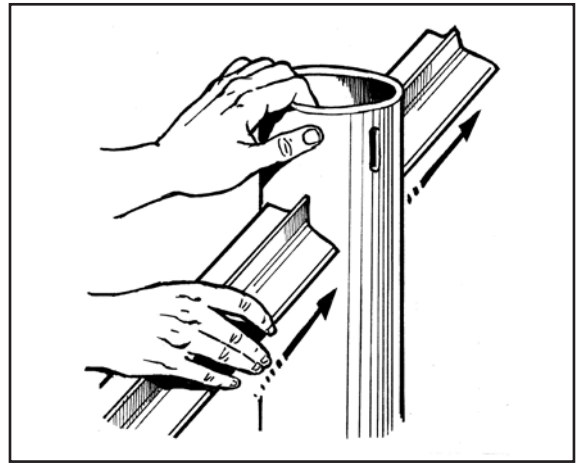
## LANYARD INSTALLATION INSTRUCTIONS

- For bottom anchoring - wrap the lanyard around anchoring point, and pass looped end of lanyard through the other looped end and pull. With anchoring point secured, hold the tag-end loop inside the PVC tube and insert the 1/4" bolt through the tube and in the loop. Tighten the 1/4" bolt and locknut to secure American Fish Tree to anchor point. Lanyard strength = 920 lbs. All hardware = 304 SS. **(fig. 7 / fig. 8)**
- For **suspending** the American Fish Tree from docks and piers, we recommend using 1/2" nylon rope or light duty stainless steel chain.

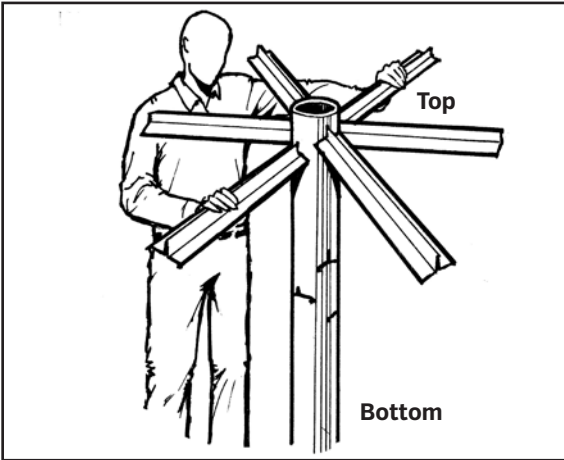
[fig. 1]



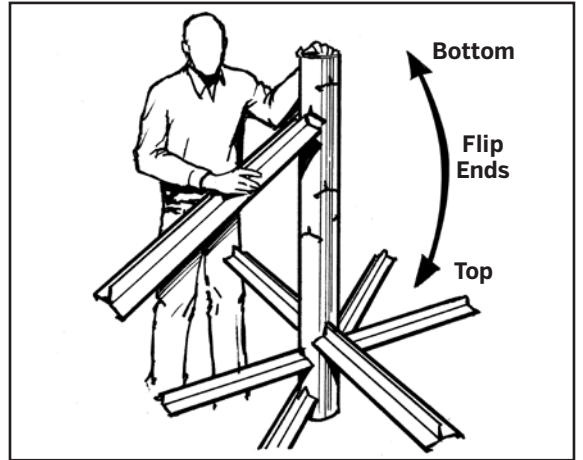
[fig. 2]



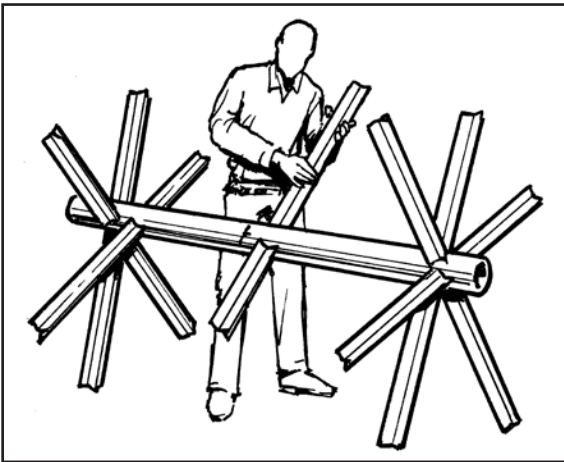
[fig. 3]



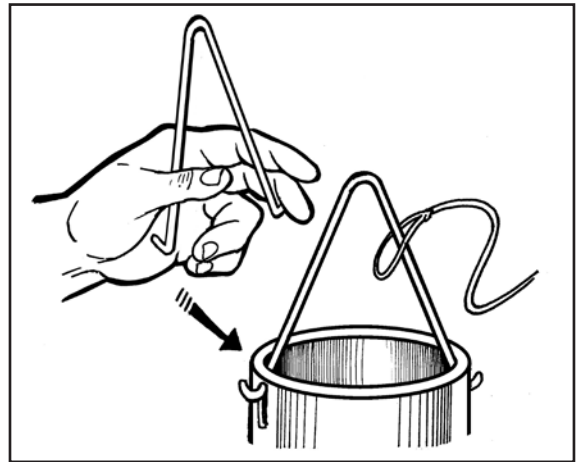
[fig. 4]



[fig. 5]

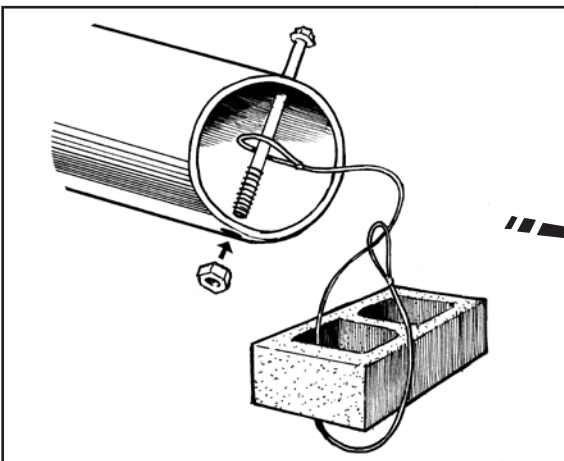


[fig. 6]

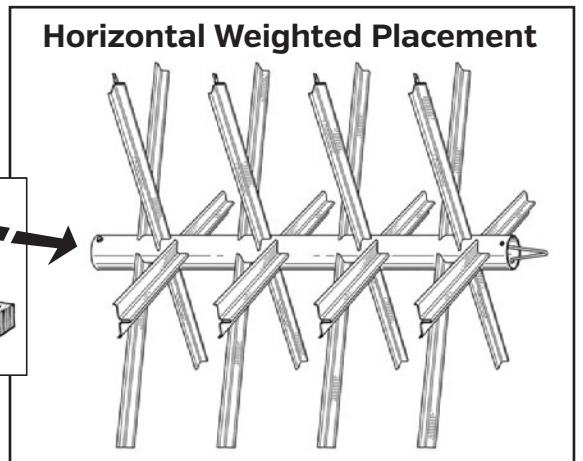


[fig. 6b]

[fig. 7]



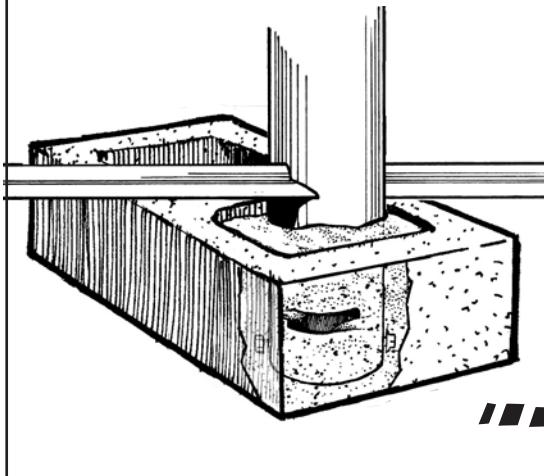
[fig. 8]



## AMERICAN FISH TREE™ PLACEMENT TIPS

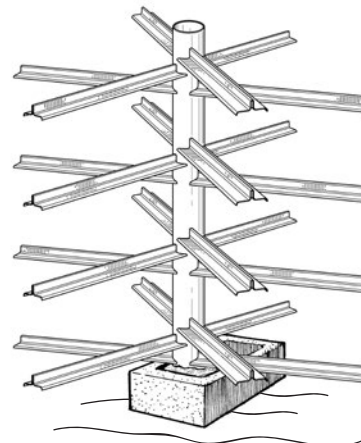
[fig. 9] **Vertical Placement - Concrete**

Concrete mix in concrete block



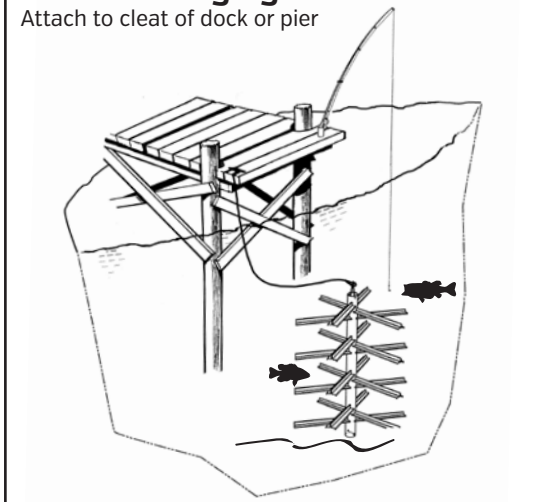
[fig. 9b] **Vertical Placement - Concrete**

with weighted concrete on bottom of lake or pond



[fig. 10] **Vertical Hanging Placement**

Attach to cleat of dock or pier



[www.AmericanFishTree.com](http://www.AmericanFishTree.com)

### Vertical Weighted Placement using Concrete Block [#5000 Models] (fig. 9b)

- Install one bar in the lowest cut-out at bottom of PVC tube, and then install the 5" bolt.
- Measure and mix enough concrete material to fill one hole side of block that will contain the fish tree. For areas that are subject to strong currents, use more concrete material to fill the opposite side of block.
- Pour concrete mix in block, and stand tube vertically up in block. Center tube in hole on block, making sure the concrete mix covers and fills through the 2 portal holes on each side of the bottom of the PVC tube. **[fig. 9/9b]**
- Let tube stand for at least 12-24 hrs, or until concrete mix has hardened.
- After concrete mix has hardened, complete the assembly sink the tree.

For other placement tips, visit our website - [www.AmericanFishTree.com](http://www.AmericanFishTree.com)

### Recommended Tools for Placing the American Fish Tree

- 25' - 100' of 3/8" nylon rope.

092017

*American Fish Attractor & Habitat, LLC manufactures aquatic habitat structures for the enjoyment of recreational and sport fishing. American Fish Attractor & Habitat, LLC is neither liable nor responsible for any hazard, or bodily harm, caused by the improper use and installation of its fish habitat products. Purchaser is responsible for complying with all local, state, and federal guidelines pertaining to the use of fish attractor habitat structures.*